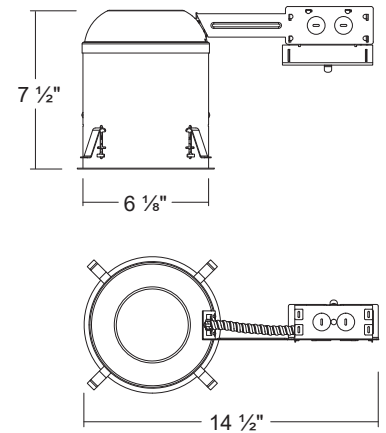


## H600R

6" Non-IC Air-Tight Incandescent Remodel Housing (Max. 150W)



### Dimensions



## ORDERING INFORMATION

Model No.	Description
H600R	6" Non-IC Air-Tight Incandescent Remodel Housing (Max. 150W)

## SPECIFICATION

### Junction Box

- Listed for through branch circuit wiring
- Contains one 1-1/8", six 7/8" knockouts and four Romex pryouts with strain relief

### Remodel Clips

- Four Remodel clips secure housing and accommodates 1/2" and 5/8" ceiling materials.

### Thermal Protector

- Self resetting thermal protector deactivates fixture if overheating occurs due to improper lamping or misapplied insulation.

### Listings

- cULus Listed for Damp Location
- cULus Listed for Feed Through

## COMPATIBLE TRIMS

**T621** Albalite Shower



• **Incandescent**  
60W A19

**T631** Fresnel Shower



• **Incandescent**  
60W A19

**T601** Open Trim



• **Incandescent**  
75W R / Par30

**T602** Open Trim



• **Incandescent**  
150W R40 / Par38

**T605** Eyeball



• **Incandescent**  
75W R / Par30

**T652** Wall Wash



• **Incandescent**  
60W A19

**T603** Stepped Baffle



• **Incandescent**  
75W R / Par30

**T604** Stepped Baffle



• **Incandescent**  
150W R40 / Par38

**T645** Wall Wash Baffle



• **Incandescent**  
75W BR / Par30

**T691** Open Trim Baffle



• **Incandescent**  
75W R / Par30

**T683** Baffle Eyeball



• **Incandescent**  
75W R / Par30

**T619** Cone Smooth



• **Incandescent**  
100W A19

**T630** Smooth



• **Incandescent**  
75W R / Par30

**T640** Smooth



• **Incandescent**  
150W R40 / Par38

**T684** Regressed Eyeball Baffle



• **Incandescent**  
75W Par30

